

ALPHA SPOT 700



THE HIGHLIGHT OF THE PERFORMANCE

Alpha Spot 700 is a 700W effects projector with the following highlights: Linear Zoom 15° - 40°, Color Mixing CMY, Graphic System with 14 gobo + Animation disc, linear CTO.

Alpha Spot 700 also offers some original features: a wheel with 7 colors that can be easily replaced with the same number of gobos, fixed Gobo Wheel with interchangeable gobos, new "dynamic" Animation Disc interchangeable with other Animation or Graphic Discs.

Extraordinary in combining versatility with quality, with special attention to containing costs, Alpha Spot 700 is highly suitable for tours, live environments and for every sector of professional and architectural lighting.



ENGLISH

PRELIMINARY EDITION



PROFESSIONAL SHOW LIGHTING

CLAY PAKY s.p.a. Via Pastrengo, 3/b - Seriate (BG) Italy - Tel. +39-035-654311 - Fax +39-035-301876 - www.claypaky.it

Product features

Lamp

- Metal iodide 700W lamp.
- Type: HTI 700W/D4/.... (2 options, see below).
- Cap: Sfc 10-4.
- Color Temperature: see below.
- Luminous flux: 59,000 lm.
- Average Life: 750 h.
- Hot Restrike.

Optics

- Optical unit with optimal luminous efficiency.
- 15° - 40° Electronic Linear Zoom.
- Electronic focusing.

Color system

- CMY Color Mixing.
- 7-Color Wheel, easily replaceable with as many gobos.
- Linear CTO.

Effects section

- Graphic system (14 gobos + 1 Animation disc):
 - 1 Rotating Gobo wheel with 6 bidirectional, indexable and easily interchangeable gobos. Selectable "Gobo shake" function. "Morphing" effect.
 - 1 wheel with 8 Fixed and easily interchangeable Gobos, variable rotation and selectable "Gobo shake" function.
 - Ø 120 mm Animation Disc that may be used alone or in combination with gobos, equipped with "fast clamping" system to quickly switch with other animation discs, or with Graphic Discs. The Animation Disc can be directed both vertically and horizontally: this allows the effect and its movement to be reproduced in any projection position.
- 9-faced prism + 2 frost filters.
- High speed mechanical Iris.
- A state-of-the-art 0-100% Dimmer.
- Stop/strobe effect.

Electronics and other features

- Long life self-charging buffer battery.
- Pre-set macros.
- "ENERGY SAVING" function: with the stop or total dimmer effect on, consumption cut by 50%.
- 115/230V switchable power supply.
- ON/OFF lamp control from the lighting desk.
- Function reset from the lighting desk.
- "HELP" function in the menu.
- "MEMO" function.
- "AUTOTEST" function.
- Possibility to upgrade the software through the DMX 512 input.
- Ethernet connection.
- Electronic control on each parameter.
- DMX level monitoring on each channel.
- Feedback information for each sensor and encoder.
- Electronic repositioning of the effects.



PROFESSIONAL SHOW LIGHTING

CLAY PAKY S.p.A.

Via Pastrengo, 3/b - 24068 Seriate (BG) Italy
 Tel. +39-035-654311 - Fax +39-035-301876
 cp.sales@claypaky.it - www.claypaky.it

Technical data

Power supplies

- 200 - 240 V 50/60 Hz • 100 - 120 V 50/60 Hz
- The power supply can be changed over with the built-in selector.

Input power: 1.050VA at 230V 50Hz (PFC Electronic Ballast).

Input: DMX 512.

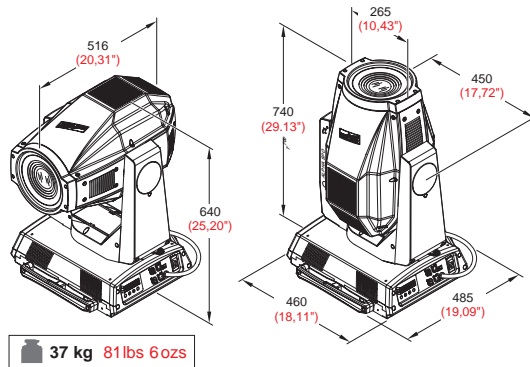
Body

- Aluminium structure with die-cast plastic cover.
- Two side handles for transportation.
- Device locking PAN and TILT mechanisms for transportation and maintenance.

Moving body

- Angle:
 - PAN = 450° - TILT = 252°
- Maximum speeds:
 - PAN = 4.0 sec. (360°) - TILT = 3.2 sec. (252°)
- Resolution:
 - PAN = 1.76° - PAN FIN = 0.007°
 - TILT = 0.98° - TILT FIN = 0.004°

Dimensions (mm/inches) and Weights



- Automatic repositioning of PAN and TILT after accidental movement not controlled by control unit.
- PAN and TILT lock on 4 and 5 positions respectively.

Cooling

Forced ventilation with axial fans.

Safety devices

- Bipolar circuit breaker with thermal protection.
- Automatic break in power supply in case of overheating.

Recommended working position

Functions in any position.

CE marking

In conformity with the European Union Low Voltage Directive 73/23 and Electromagnetic Compatibility Directive 89/336.

Accessories

Code 183102/801

Omega for Clamps fixing - supplied (2 pieces)



Code C52175

Clamps (hooks for truss) - not included



Code 105041/003

Safety cable - not included



Sales codes

| | |
|----------------|--|
| C 61085 | ALPHA SPOT 700 |
| L 10080 | HTI 700W/D4/60 lamp (6.000 K) |
| L 10081 | HTI 700W/D4/75 lamp (7.500 K) |
| F 21170 | Foam shell |
| F 21162 | Flight case for 2 projectors (including 2 foam shells) |

CHANNELS

| | Standard | 16 b | Extended |
|------------|-------------------------|-------------------------|-------------------------|
| Channel 1 | Cyan | Cyan | Cyan |
| Channel 2 | Magenta | Magenta | Magenta |
| Channel 3 | Yellow | Yellow | Yellow |
| Channel 4 | Linear CTO | Linear CTO | Linear CTO |
| Channel 5 | Color Wheel | Color Wheel | Color Wheel |
| Channel 6 | Stop/Strobe | Stop/Strobe | Stop/Strobe |
| Channel 7 | Dimmer | Dimmer | Dimmer |
| Channel 8 | Iris | Iris | Iris |
| Channel 9 | Fixed Gobo Change | Fixed Gobo Change | Fixed Gobo Change |
| Channel 10 | Rotating Gobo Change | Rotating Gobo Change | Rotating Gobo Change |
| Channel 11 | Gobo Rotation | Gobo Rotation | Gobo Rotation |
| Channel 12 | Animation Disc | Animation Disc | Gobo Rotation fine |
| Channel 13 | Animation Disc Rotation | Animation Disc Rotation | Animation Disc |
| Channel 14 | Frost/Prism/Lens | Frost/Prism/Lens | Animation Disc Rotation |
| Channel 15 | Focus | Focus | Frost/Prism/Lens |
| Channel 16 | Zoom | Zoom | Focus |
| Channel 17 | Pan | Pan | Zoom |
| Channel 18 | Tilt | Tilt | Pan |
| Channel 19 | Reset | Reset | Pan fine |
| Channel 20 | Lamp | Lamp | Tilt |
| Channel 21 | | Pan fine | Tilt fine |
| Channel 22 | | Tilt fine | Reset |
| Channel 23 | | Gobo Rotation fine | Lamp |